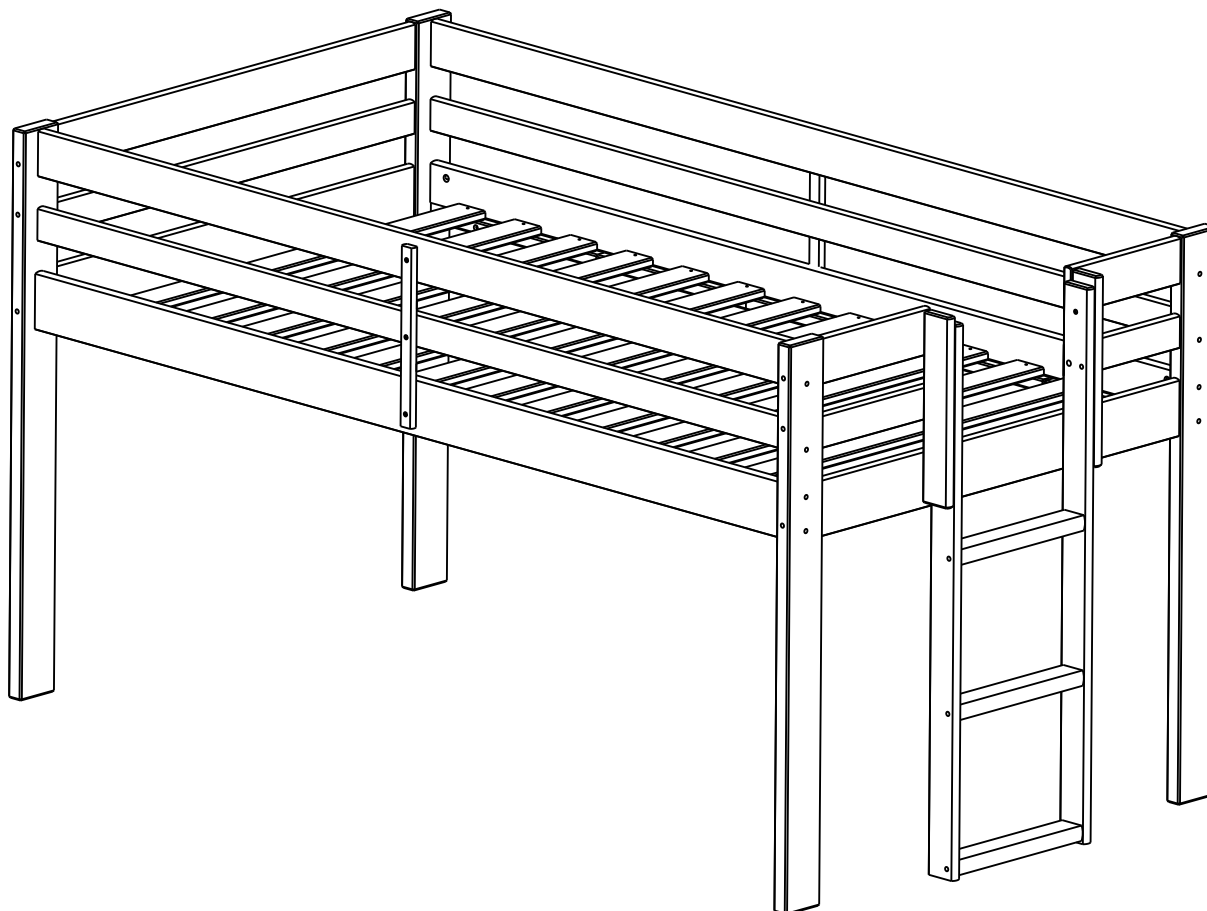
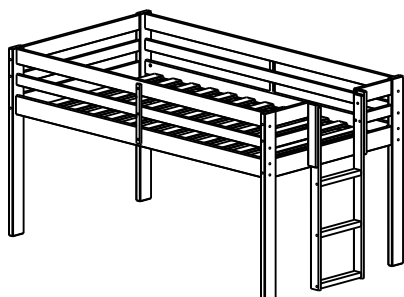


ASSEMBLY INSTRUCTIONS

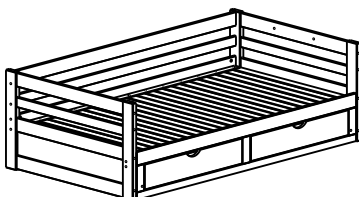
JASPER JR LOFT



JASPER JR LOFT



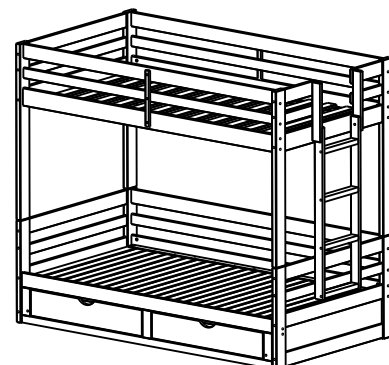
JASPER DAYBED



+

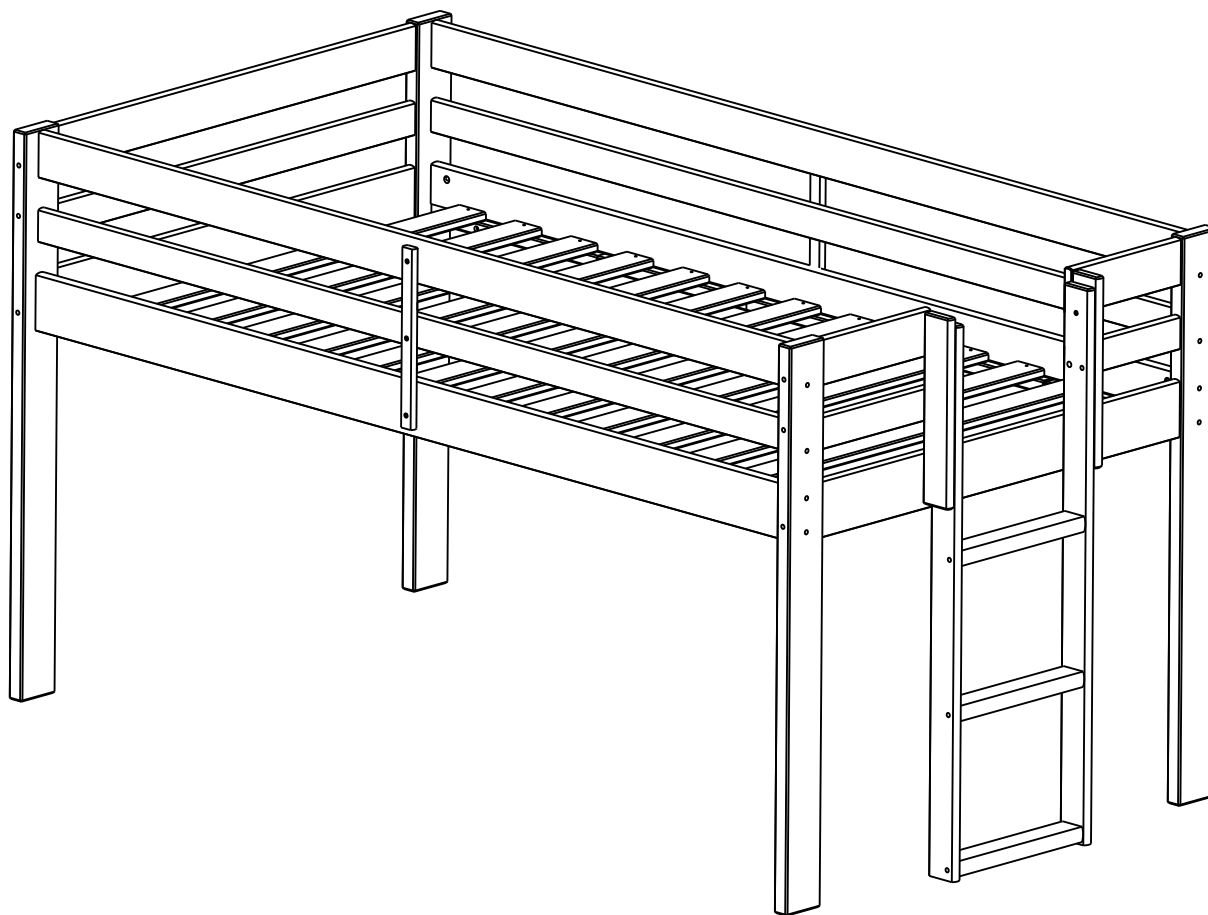
=

JASPER BUNK BED



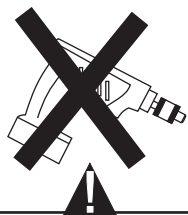
ASSEMBLY INSTRUCTIONS

JASPER JR LOFT

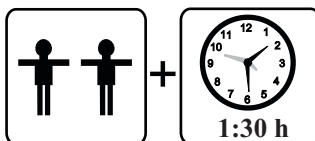


REPLACEMENT PARTS

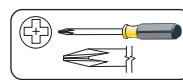
Please do not contact the company purchased from as we can help you faster.
Order replacement parts and hardware at "alaterrefurniture.com"



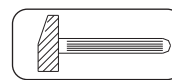
* Use of power tool to assemble this product will invalidate any claim and damage this product making it unsafe!!!
* Please assemble on a clean soft surface to avoid damage.



Tools Required

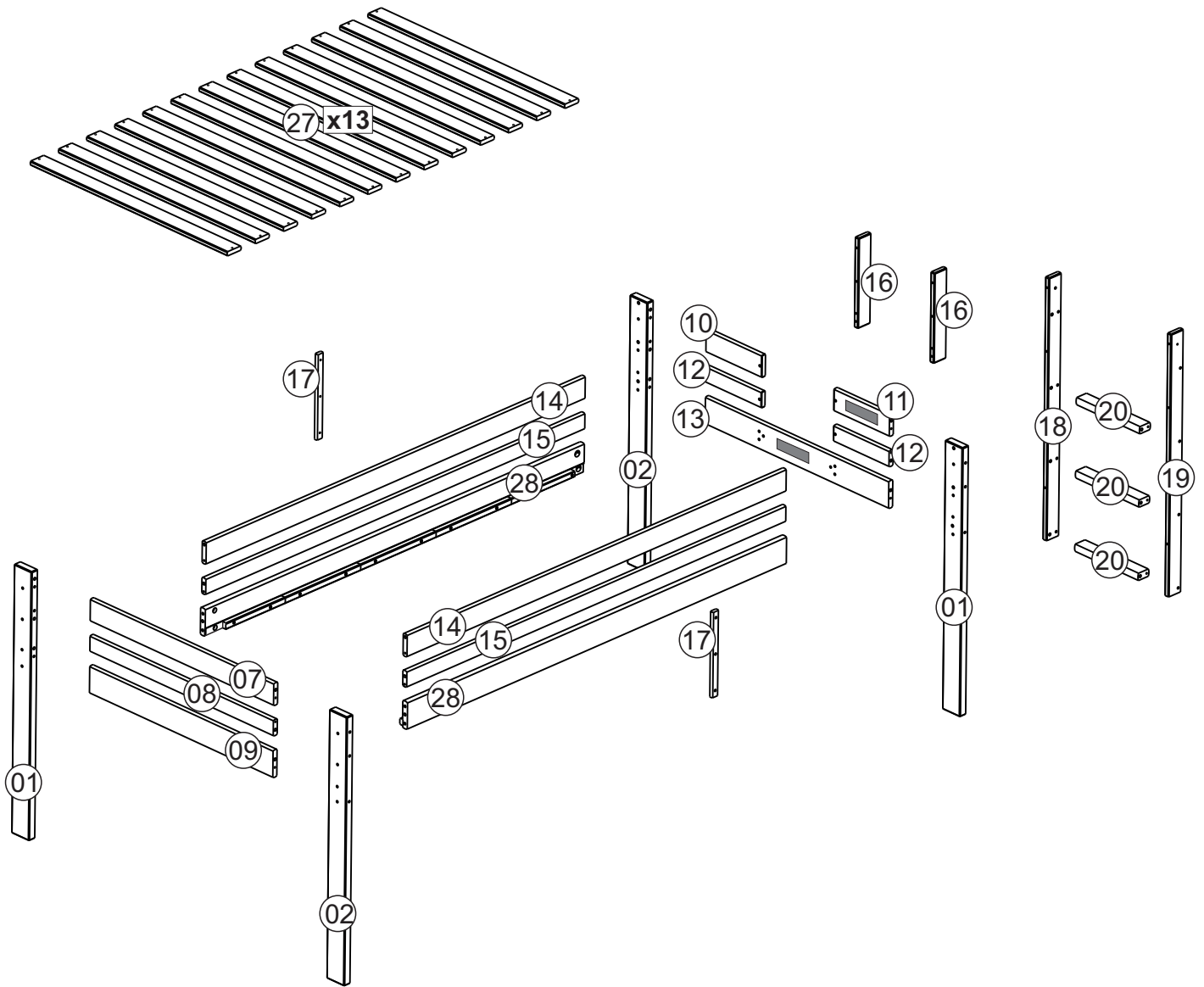



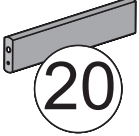
(Not included)



(Not included)




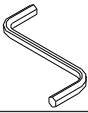



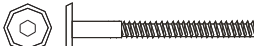

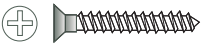


Part List - Jasper Jr Loft



Additional part 20 is included for assembling the Jasper Bunk Bed option

Identifying the Hardware-Identify the hardware using the illustrations below.

C  26 4,0 x 35	E  32 10X50	G  08 7 x 70 x 17mm
H  01	J  02 SPACER - 2 3/4" 71mm	K  08 1/4
Q  12 7 x 120 x 17mm	R  20 7 x 60 x 17mm	T  04 15X100
U  08 4,0 x 30	V  02	X  08 1/4 x 80 x 17mm

01

E



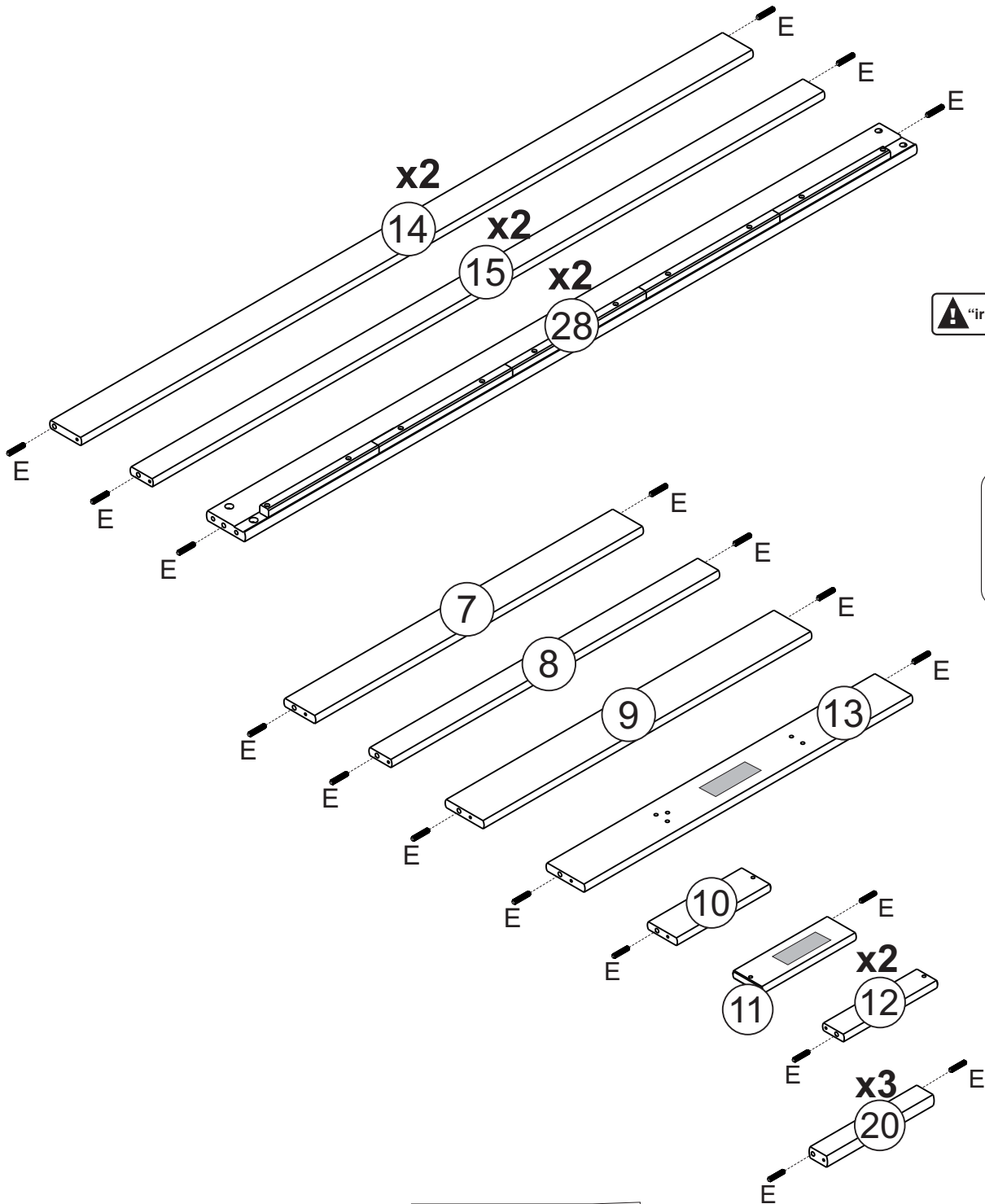
10X50

30

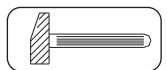
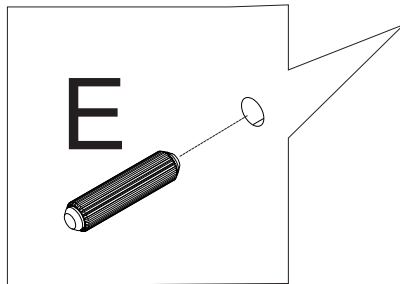
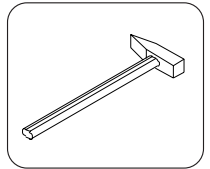
V



02



"irreversible operation"



(Not included)

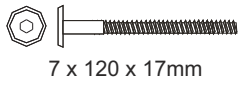
02

H



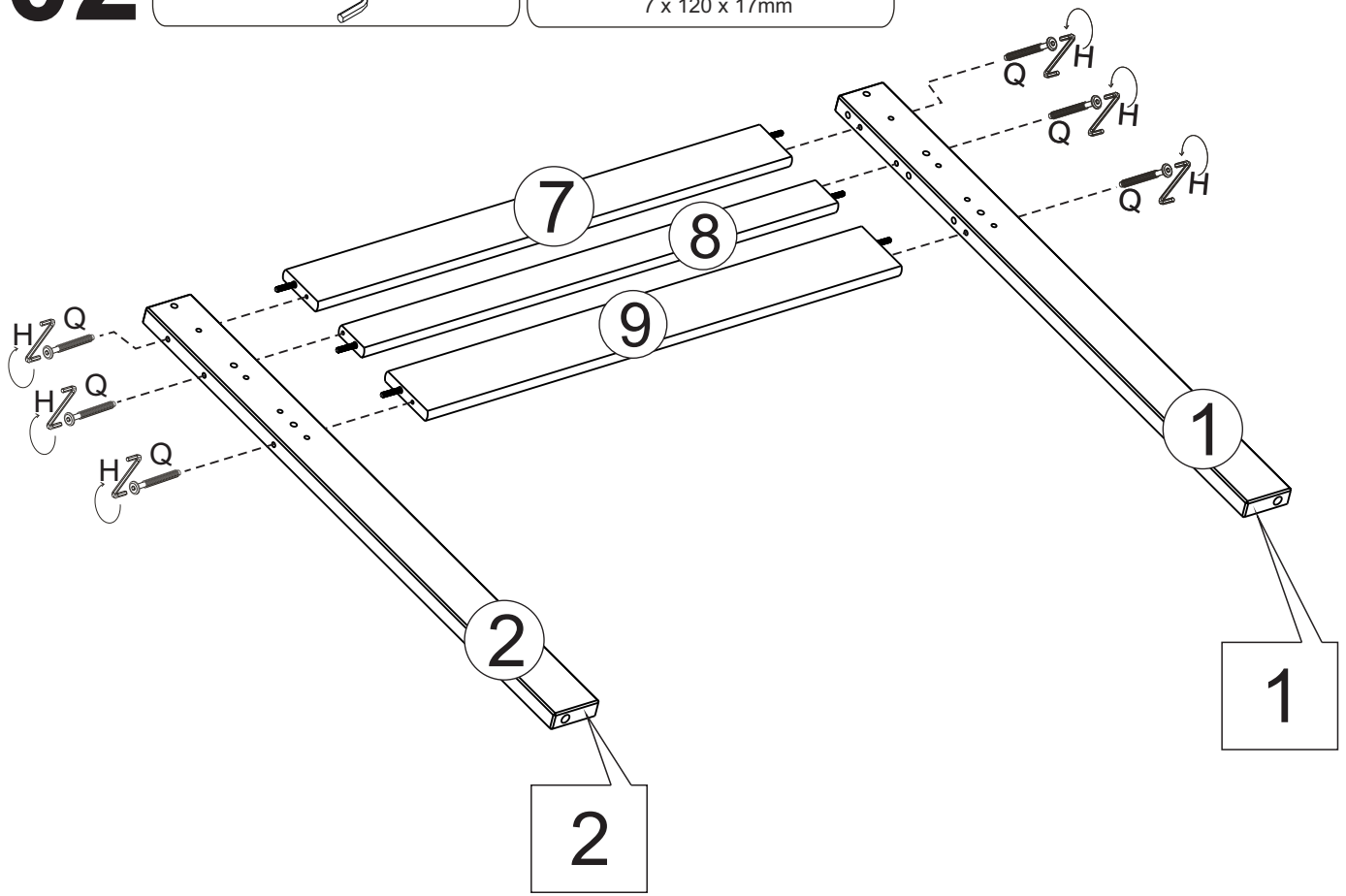
01

Q



06

7 x 120 x 17mm



03

H



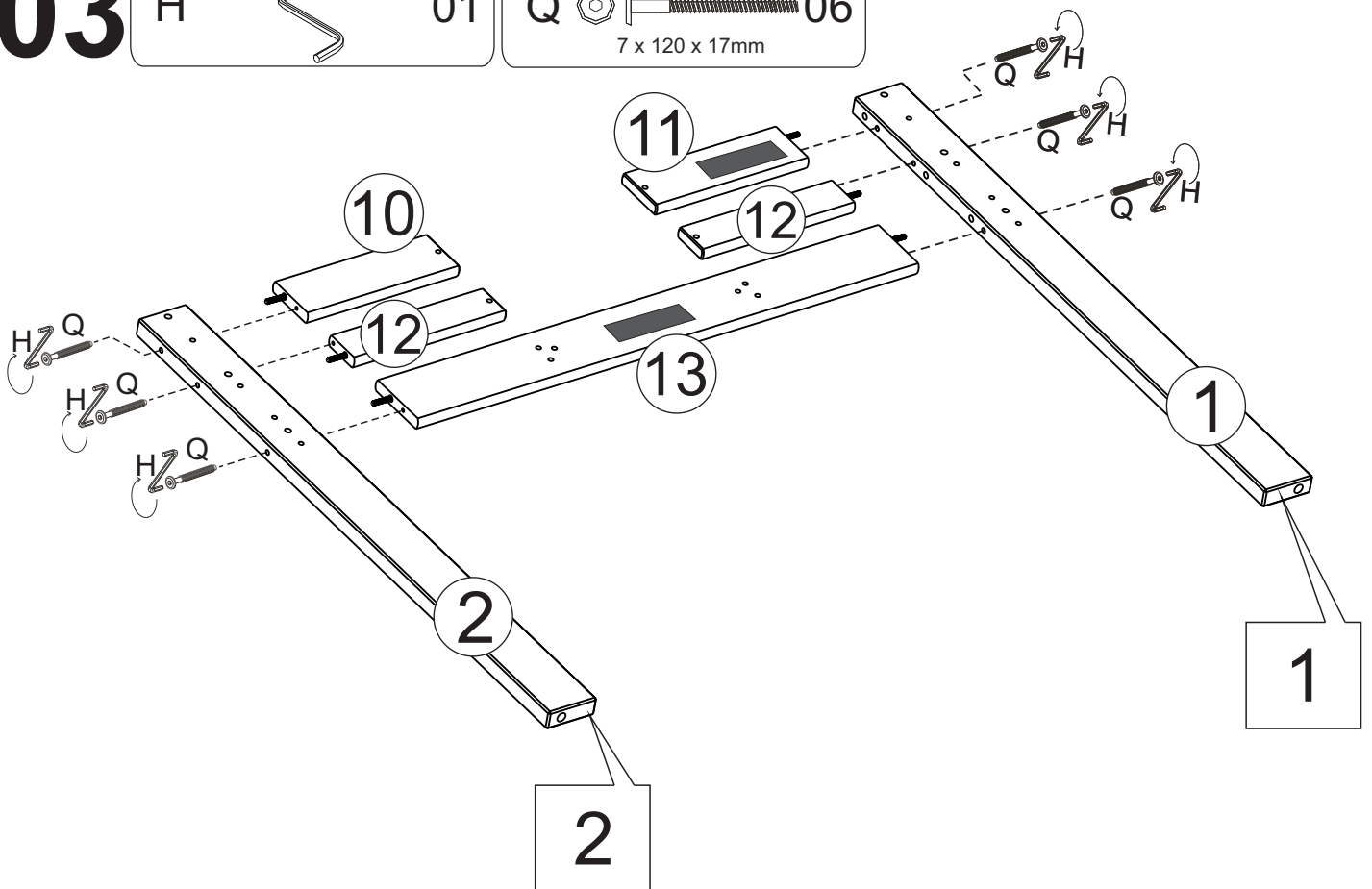
01

Q

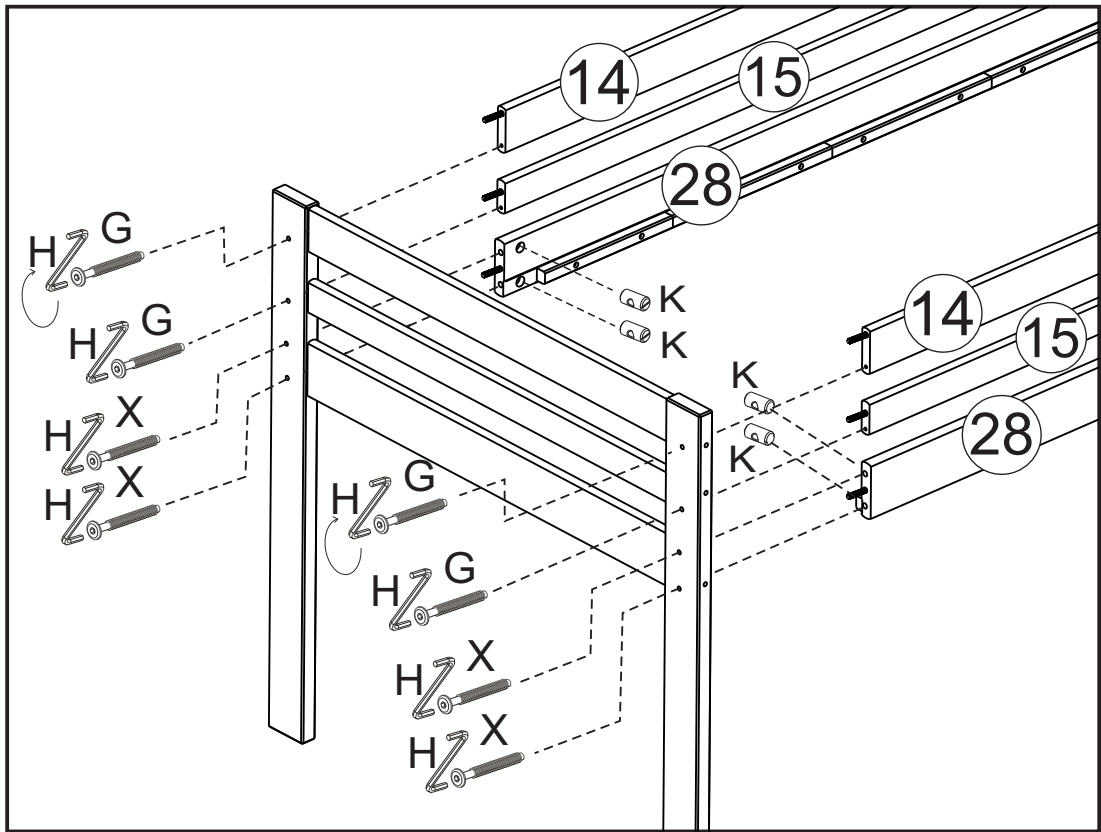
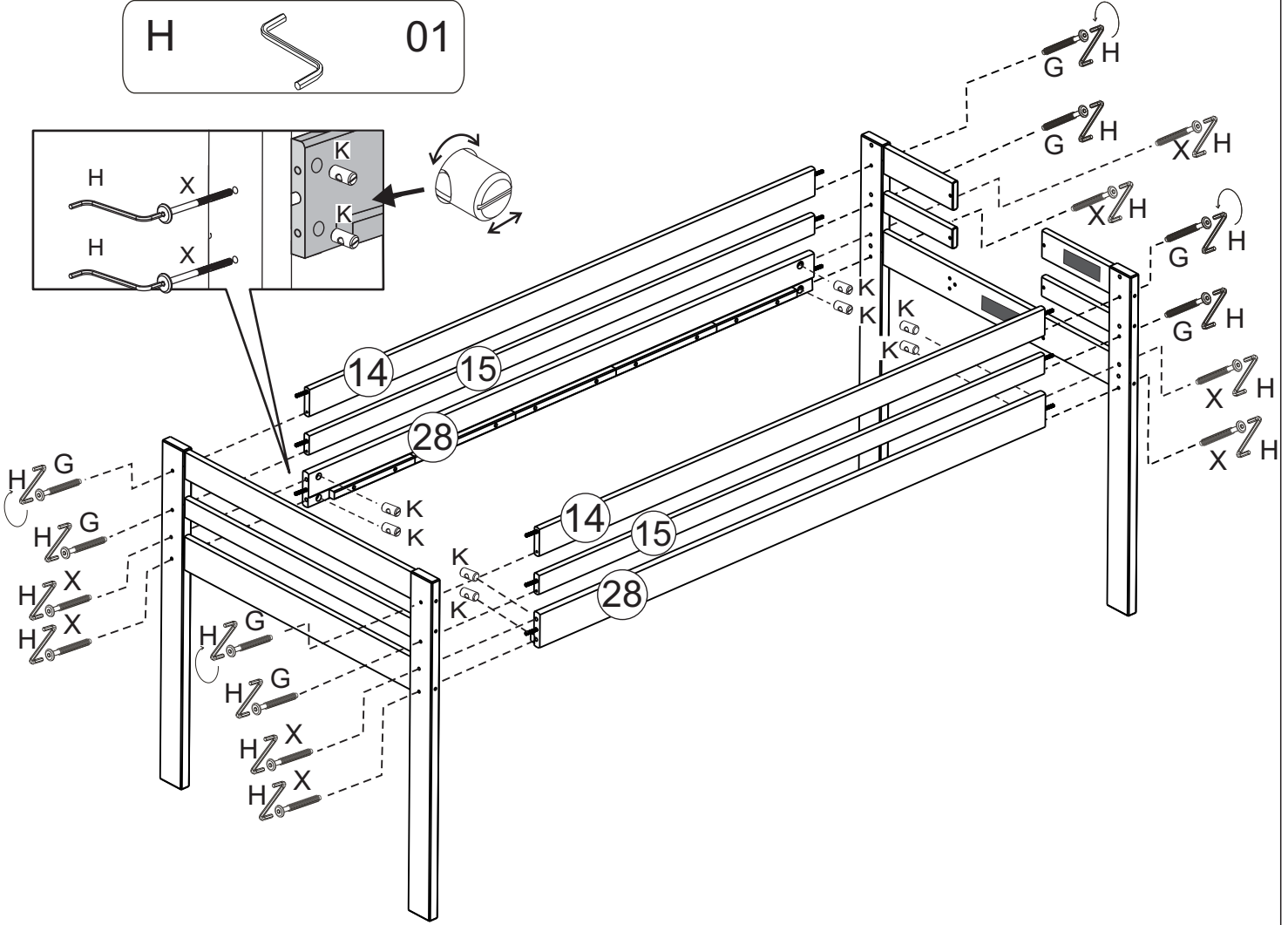
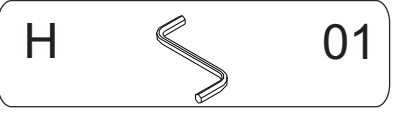
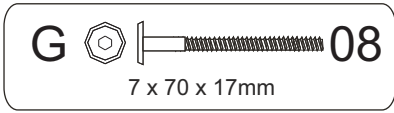
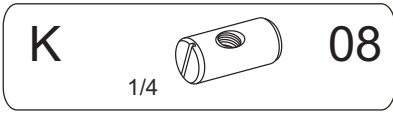
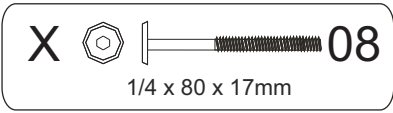


06

7 x 120 x 17mm

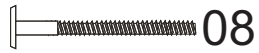


04



05

R



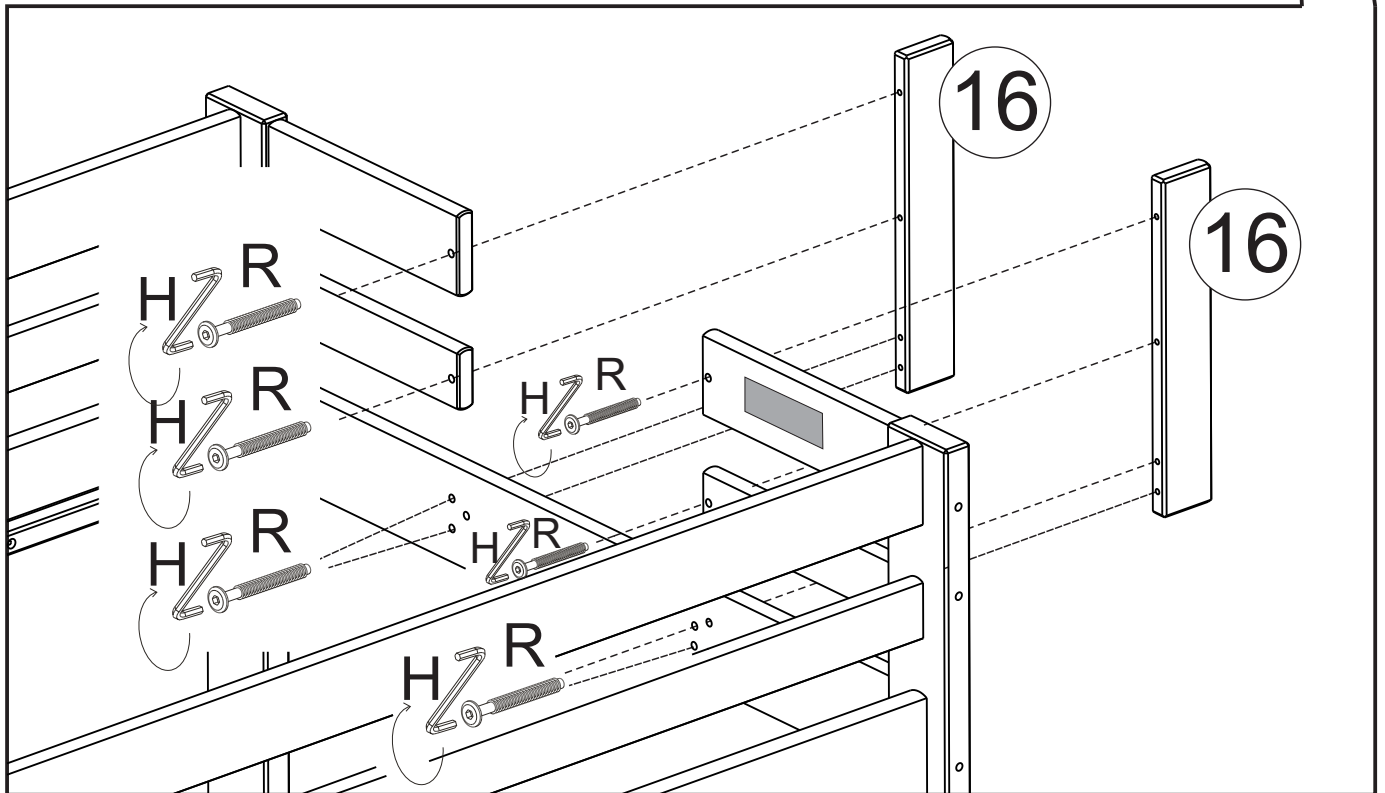
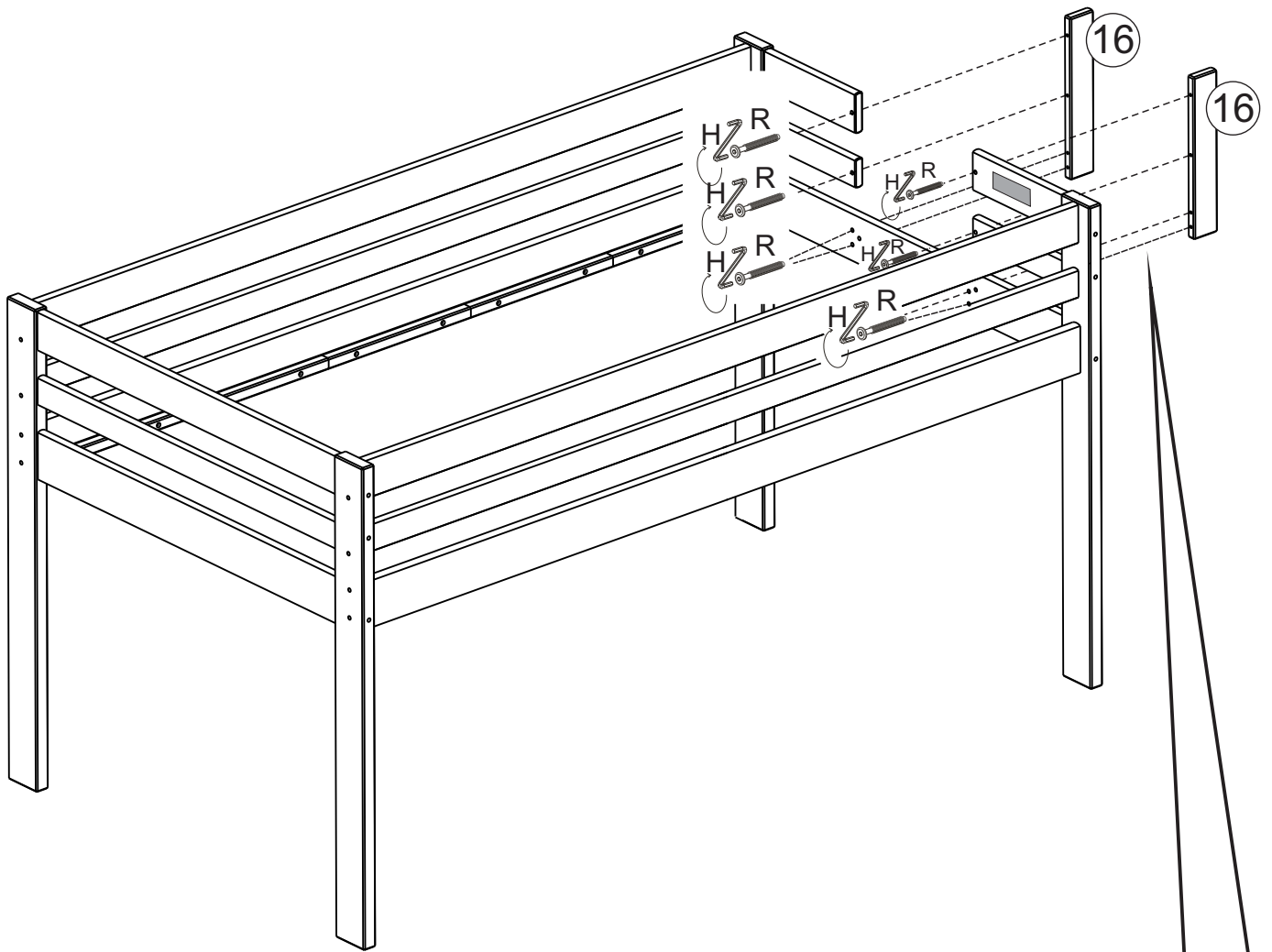
08

7 x 60 x 17mm

H

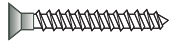


01



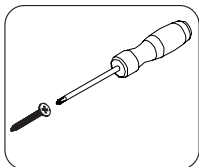
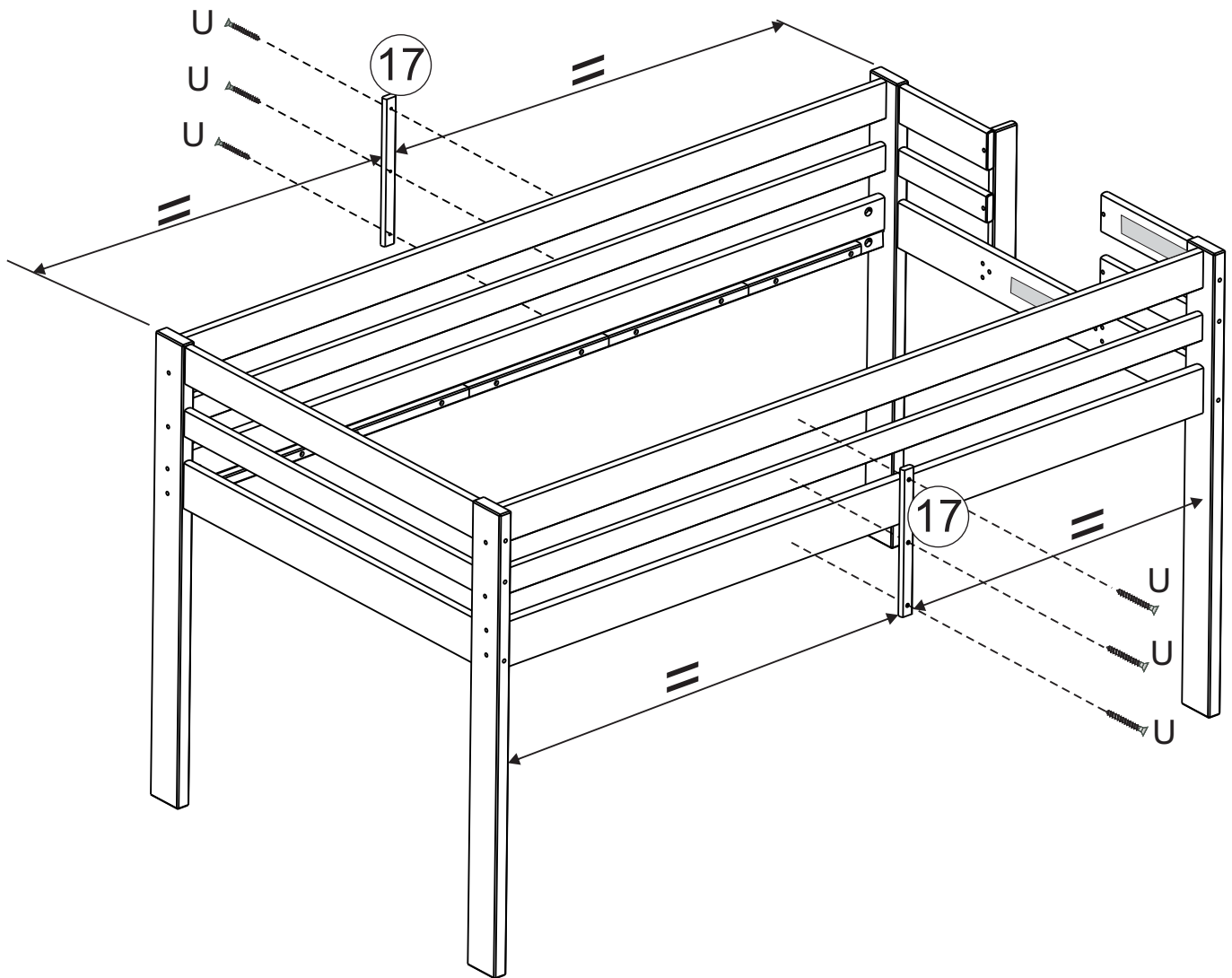
06

U



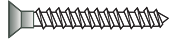
06

4,0 x 30



07

C



4,0 x 35

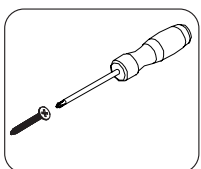
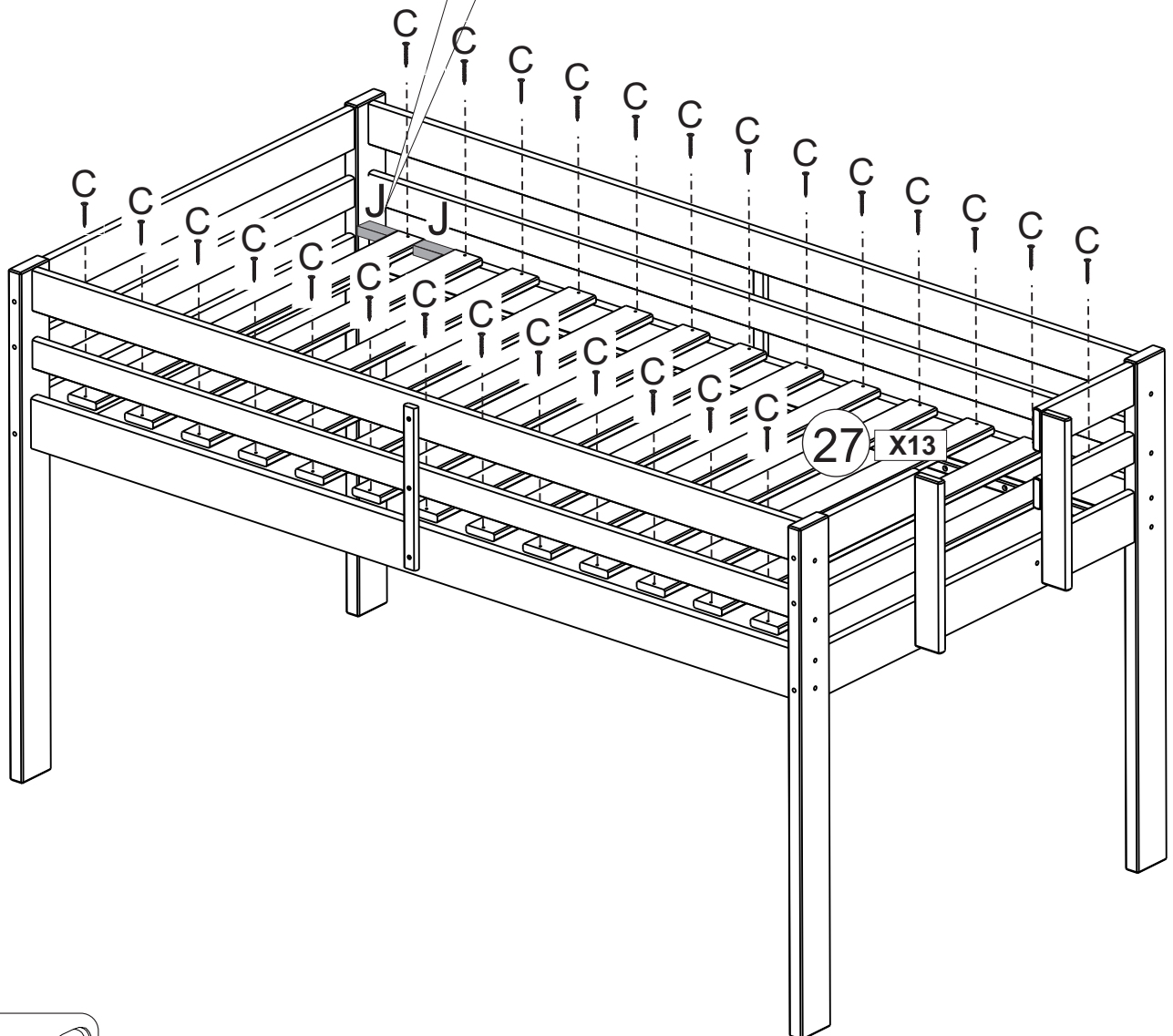
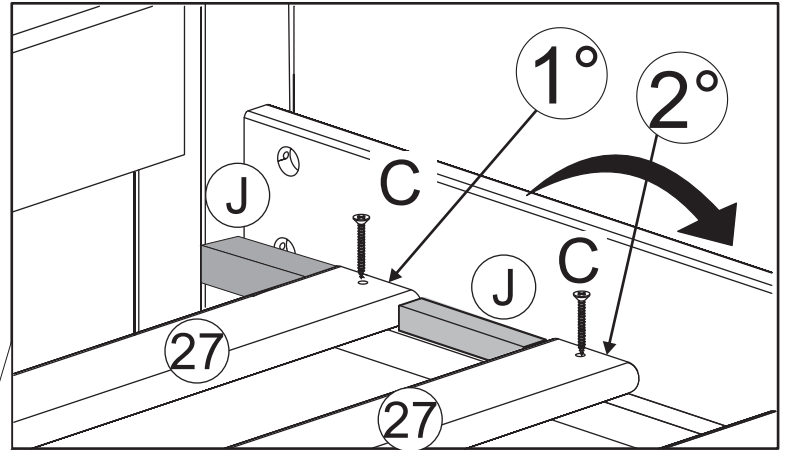
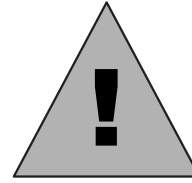
26

J




Spacer 2 3/4"
71mm

02



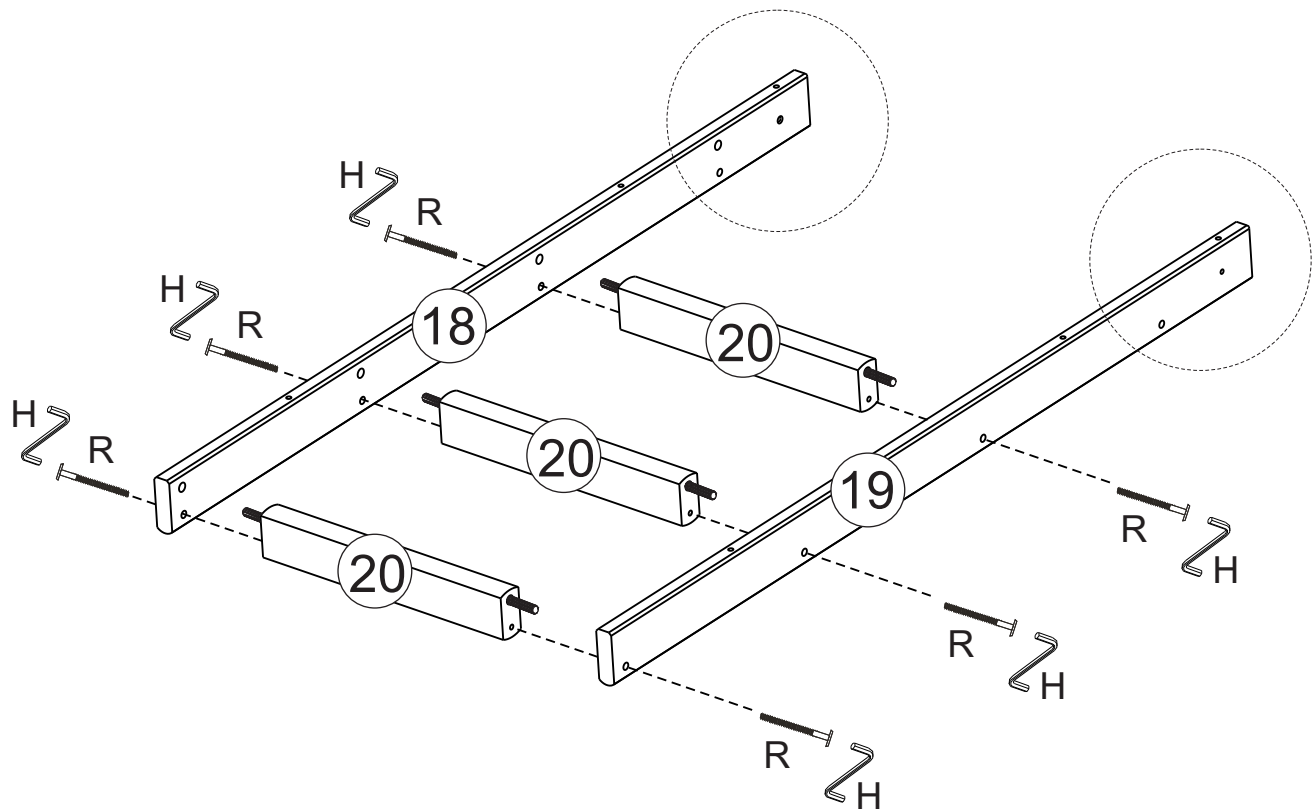
08

R  06
7 x 60 x 17mm


H

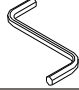



01



09

R  02
7 x 60 x 17mm

H  01

U  02
4,0 x 30

